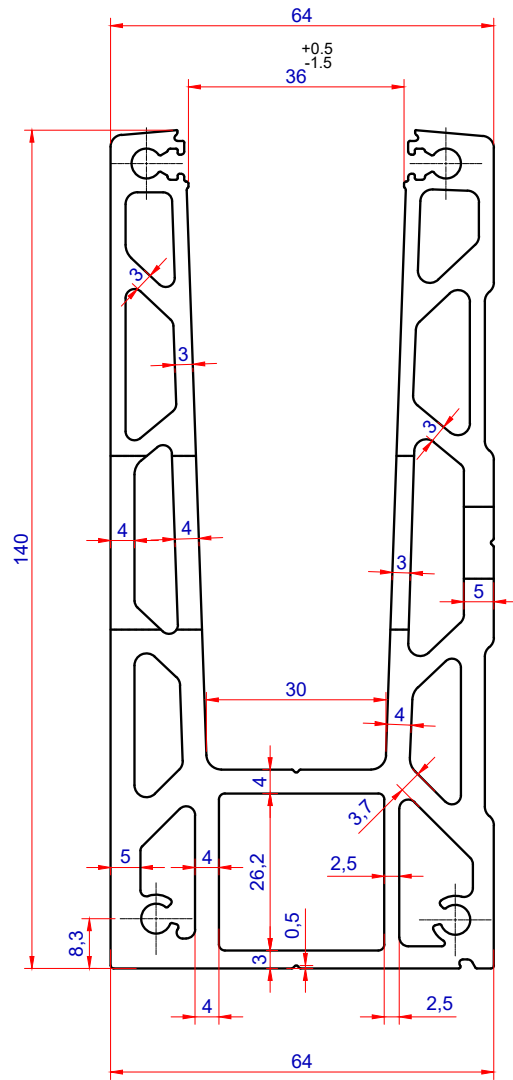
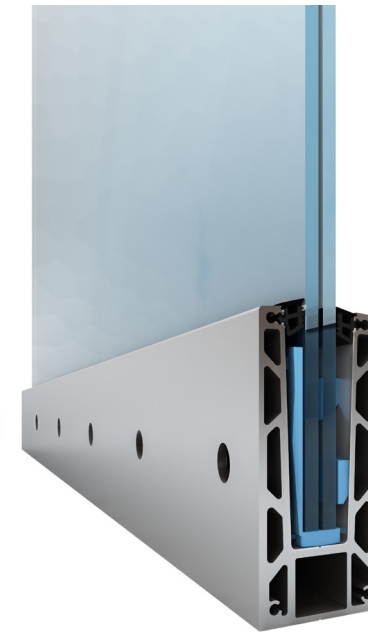
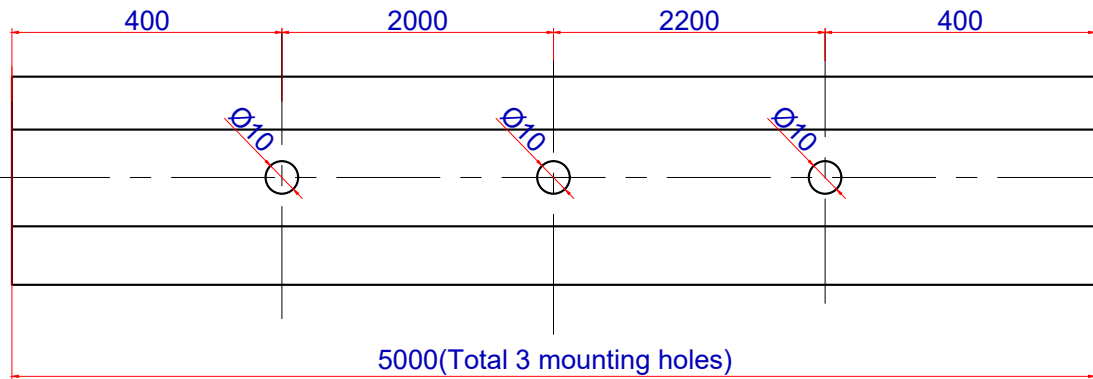


# KF 1150

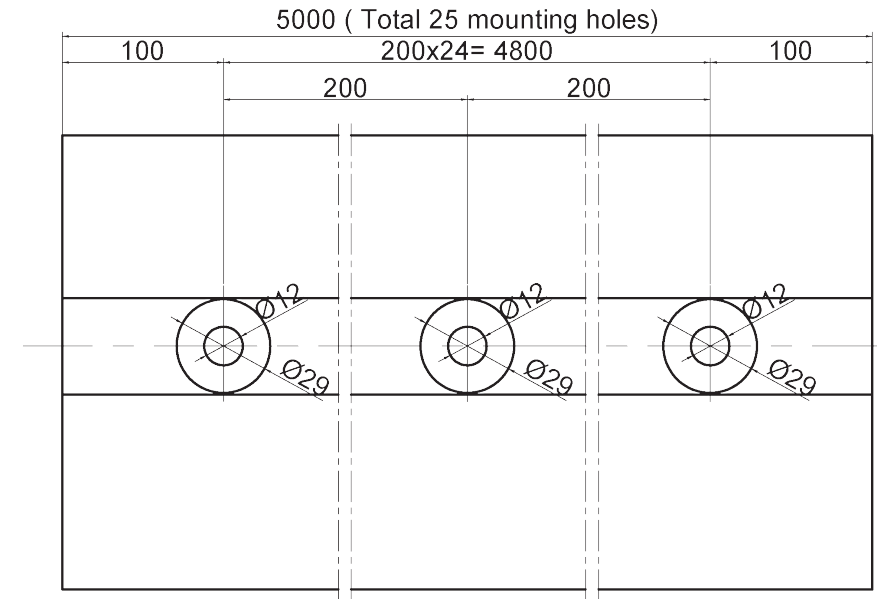
## Section




## Section Details



3D



Profile name KF 1150	Date	Revision	Note
			
Description KF 1150 - TL = 5000 mm			
Number Of Product 00011505000	Size A4	Dimention 1:1	