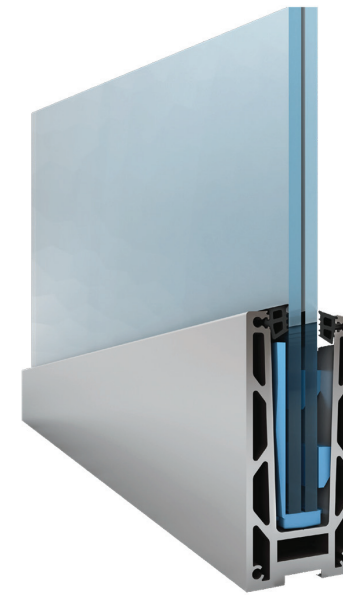
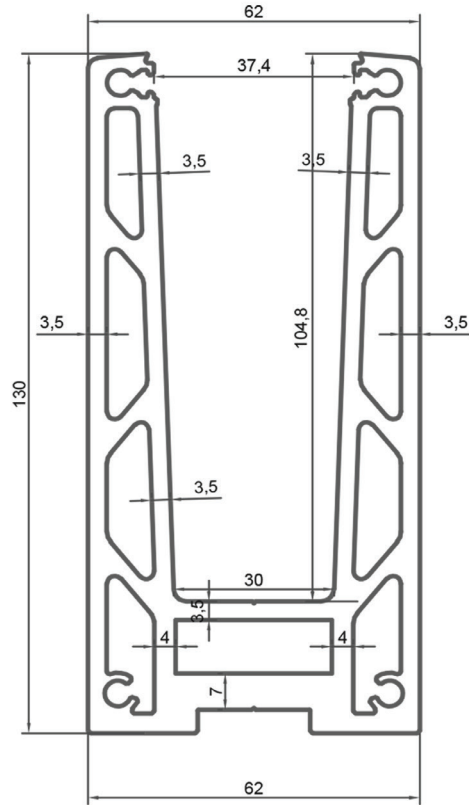


KF 1000

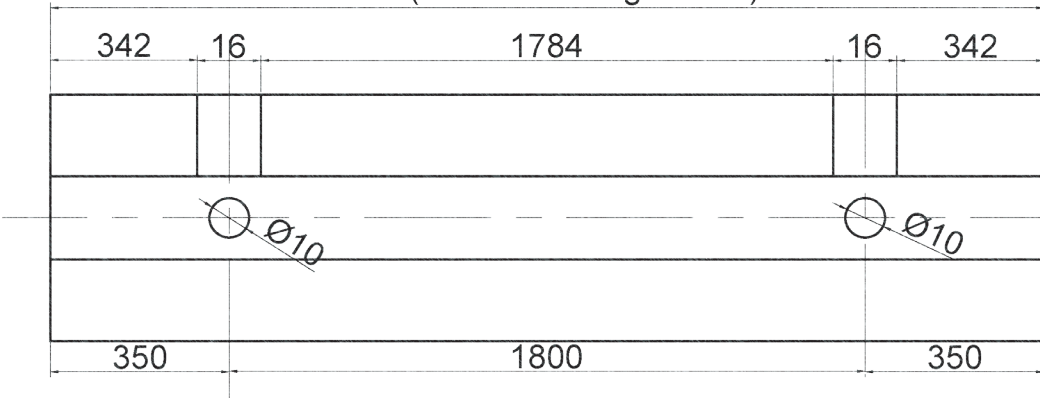
Section



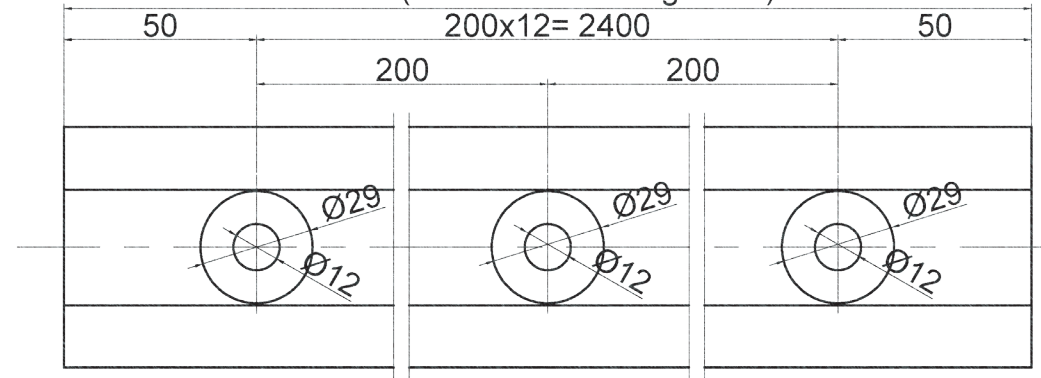
3D

Section Details

2500 (Total 2 drainage holes)



2500 (Total 13 mounting holes)



Profile name KF 1000	Date	Revision	Note
		Description KF 1000 - TL = 2500 mm	
Number Of Product 00010002500		Size A4	Dimention 1:1