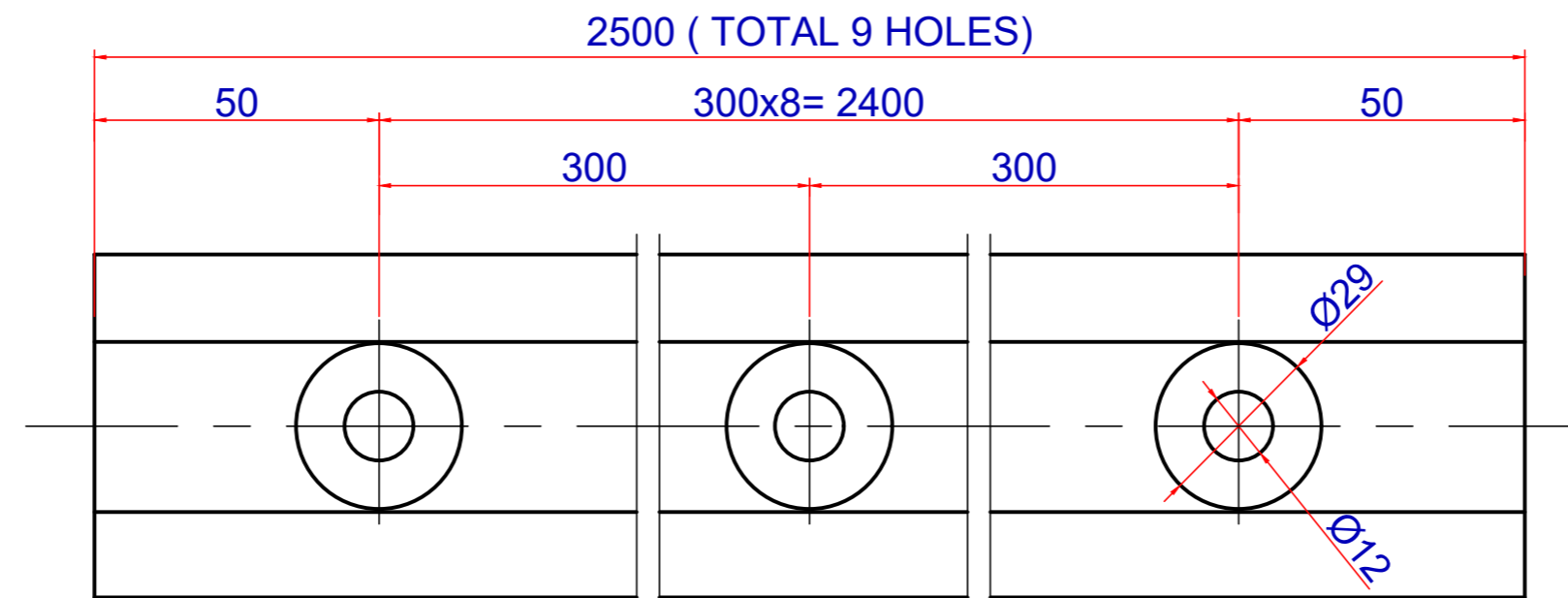
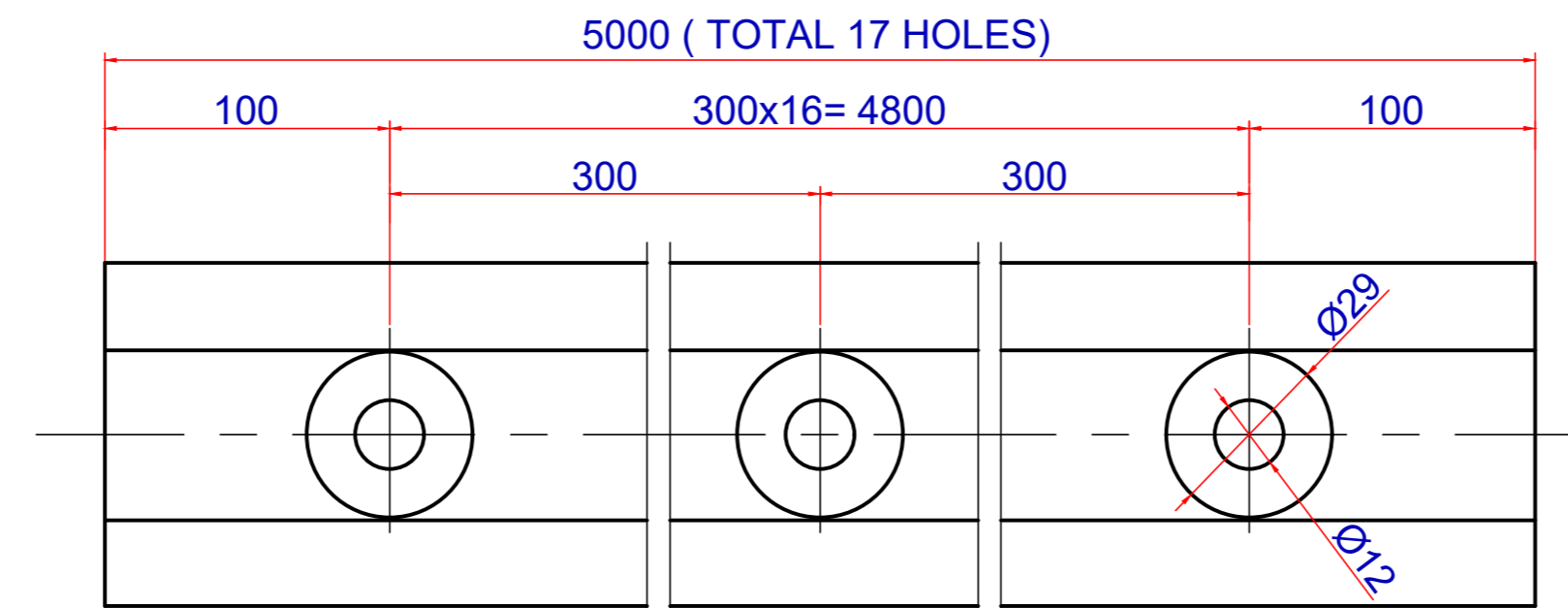


**KE 100 Front View**



**Screw Holes Details (2500mm)**



**Screw Holes Details (5000mm)**



**Perspective**



**Wind and Impact max values**

Ağırlık (kg/m) 4.567

NO.Pieces	Part name and description	Part NO	Drawing NO	Material	Düşünceler
Revision					
Designer		25.03.2020			
Control		25.03.2020			
Supervisor					
Scale	KE 100 Drawing (11599)			Drawing NO.	
1:1				M-11599 ALT	

